



Technical Specifications



Base Unit

- ❖ Dimensions: L643mm x D255mm x H470mm
- ❖ Automatic ink supply system with a large 3-liter ink reservoir
- ❖ Ink Negative Pressure System with digital display
- ❖ De-gas Negative Pressure System with digital display (Option)

Printhead

Printhead is available in two versions: 1-module version and 2-module version

- ❖ Dimensions:

1-module Printhead:

L208mm x D96mm x H268mm
Print width: 108mm

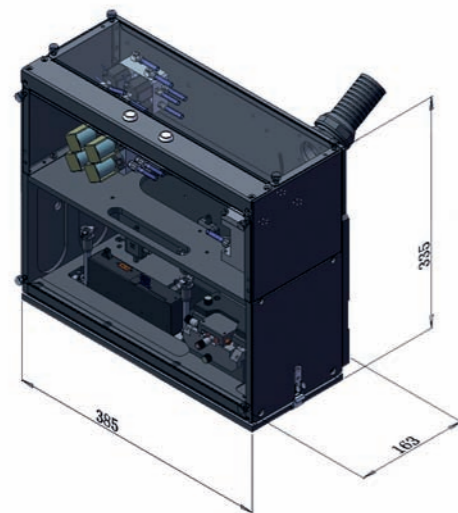
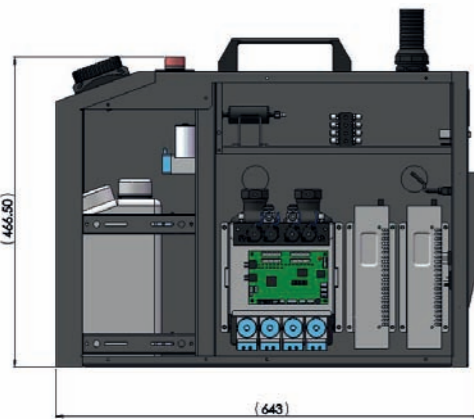
2-module Printhead:

L385mm x D163mm x H335mm
Print width: 216 mm

- ❖ Head power management and head temperature controller
- ❖ Intermediate ink tanks with ink level sensor
- ❖ 1-head base unit supports 1, 2 or 3 printheads; each printhead can support 1 module
- ❖ 2-head base unit supports 1 or 2 printheads; each printhead can support 1 or 2 modules

Print Module

- ❖ Printhead: Kyocera inkjet technology
- ❖ Printing method: Piezoelectric DOD Line Inkjet
- ❖ Print width: 108 mm
- ❖ Resolution vs. speed:
600x600 dpi: 75 m/min (water-based), 50 m/min (UV)
600x300 dpi: 150 m/min (water-based), 100m/min (UV)



The Next Step in High Speed,
High Resolution Variable Data Printing

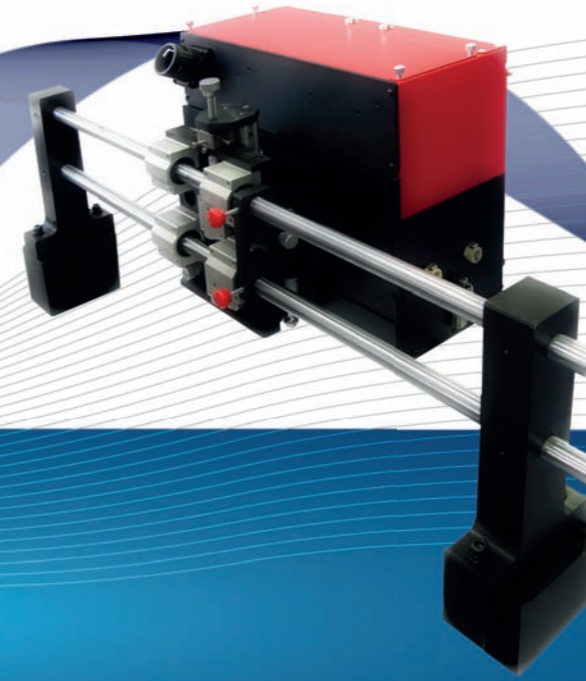


ARRAY AG GRAPHICS

Array Graphics BV ❖ Vrouwenhof 35 ❖ 4635 AD Huijbergen ❖ The Netherlands
Sales Office: Laan der Continenten 24 ❖ 2404 WC Alphen aan den Rijn ❖ The Netherlands
Phone +31 (0)172 653260 ❖ Fax: +31 (0)172 653025 ❖ E-mail: info@arraygraphics.com ❖ www.arraygraphics.com

ARRAY AG GRAPHICS

Kyte is the new generation in Drop on Demand variable data inkjet printing, covering up to 432 mm print width. It is the first to combine high resolution with high speed as demanded by today's printing and labelling applications as well as for pharma packaging. Based on Kyocera's proven piezo technology, it gives unrivalled reliability in wide width printing.



Kyte

The World's Fastest Inkjet Printer

for Wide Width Variable Data Printing

Compact, Wide Width Printhead

By experience we know that space is limited in most printing applications. Therefore, Kyte is designed as a compact, efficient and cost-effective printing unit. It is easily integrated into any existing application to upgrade it at once for variable data printing. Kyte comes with two different head versions to support several configurations in various applications.

Fast-Drying UV and Water-Based Inks

Its UV and water-based ink range has excellent drying properties and adheres to even the most difficult substrates, both coated and uncoated. This includes paper stocks, but also glossy material and plastics, like gift and loyalty cards, but also pharmaceutical packaging and blister foils. We also have inks available for special applications, including MICR inks for security printing.

Benefits

- ❖ Easily integrated printhead to add variable data printing capabilities to any application.
- ❖ High resolution printing: 600x600 dpi, variable drop size allowing greyscale jetting technology.
- ❖ High speed: up to 150 meters/min at 600x300 dpi resolution and up to 75 meters/min at the 600x600 dpi.
- ❖ UV and water-based inks for reliable printing on coated and uncoated substrates.
- ❖ Two printhead versions to suit any application and configuration.
- ❖ Ease of use and maintenance.
- ❖ Prints onto labels, tickets, plastic cards, checks, business forms, envelopes, security printing applications, blister packs, and many more.

Ease of Use and Maintenance

The patented Kyocera printhead and head alignment adjustments guarantee simple and precise settings. The operator can easily adjust the angles of the X-, Y-, Z-axes directions for each printhead. With similar ease, he aligns two modules in a 2-module printhead. The printhead maintenance system has automatic purge, manual wiping and manual capping with a printhead humidity cover. An automatic alarm signals ink shortage.

Software Options At Your Choice

Kyte works seamlessly with different software options to fulfill all your needs.

PCS, Kyte's built-in system software, gives direct and easy access to simple print and service controls, including:

- ❖ System set-up and service
- ❖ Print controls
- ❖ TIFF file printing

Kyte Bobbin software for easy and quick composition of labels

- ❖ Versatile lay-out tool
- ❖ Job Configurator
- ❖ Easy-to-use offline application

Kyte Runner, the more advanced print controller, that enables you to control:

- ❖ Read & Print
- ❖ Print & Verify
- ❖ Input/Output Control

Open Software Interface, the ultimate OEM solution, to integrate any specific OEM software product into the printer.



Print Applications

- ❖ Blister packs
- ❖ Foil applications
- ❖ Tickets, Tags & Labelling
- ❖ Cards printing
- ❖ Forms printing
- ❖ Packaging
- ❖ Security printing

